

6060 Light Iron & Non-Ferrous Shredder



The 6060 Shredder by WENDT has a uniquely engineered economical and efficient design that offers a small footprint and a low cost of ownership.

- **Estimated capacity:**
3,000–5,000 input net tons per month
*Based on 8 hours x 21 days
- **Standard Drive Packages:** 1,000–1,250 HP
- **Typical Feedstock:** Light Iron, White Goods, Aluminum, Copper, Motors and Meatballs, Rims and Extrusions

- **Precision-engineered Bowe low maintenance DISC Rotor** for performance and increased durability
- **Optimized shredder geometry** for maximum throughput for the available HP
- Top and bottom discharge to maximize open area for **optimal shredding efficiency**
- Designed to operate at the **lowest cost per ton** in its class size
- **Advanced hydraulic system** with IoT Sensors for remote diagnostics, tracking and smart water injection
- **State-of-the-art control system** with WENDT AutoDriver for automatically controlling infeed conveyor and feed rolls and maintaining maximum performance
- **Designed for shipping** – Minimize total project cost with the ability to choose final assembly methods to minimize shipping and/or on-site assembly costs



MATERIALS



Ferrous Shred



Aluminum Shred



Copper Shred



MRF OBM Ferrous

WENDT's 6060 Shredder design is available in two installation configurations: **Stationary and Modular**. A compact version of our industry-leading 6090 Shredder, the 6060 offers the same level of robustness, quality and performance that WENDT is known for.



6060 Shredder Installation Configurations



WENDT CORPORATION is a world leading provider of completely integrated scrap processing systems. Beyond our extensive equipment portfolio, **WENDT's** in-house team of engineers, project management, sales and service help us to deliver unique value and a competitive advantage to our customers. The combination of our proven equipment, processes and innovative technologies are what make **WENDT** a world-class recycling equipment provider.

WENDT offers Stationary and Modular Installation Configurations that are tailored to meet the needs of our customers and their specific markets.

6060 (Stationary)



- Static Configuration
- Designed for 20–30 input TPH
*based on selected drive
- Requires permanent building for installation & protection of critical equipment
- Requires above-grade concrete piers for support of shredder
- Lowest capital equipment cost with higher total installed cost
- Ideal for existing shredders looking to upgrade

M6060 (Modular)



- Modular Configuration
- Designed for 20–30 input TPH
*based on selected drive
- Includes pre-wired & plumbed components for faster installation
- Modular houses protect critical components, eliminating need for permanent building
- Structural steel supports replace the need for above-grade concrete piers
- Higher capital equipment cost with lower total installed cost (market dependent)

6060 Shredder Specifications



SPECIFICATIONS

Rotor Type:	Disc
Rotor RPM:	675 RPM
Hammer Swing:	62 ^{3/4} in (1,594 mm)
Hammer Weight:	232 lbs (105 kg)
Bearings:	220 mm
Installed Fluid Power:	100 HP
Single Feed Roll:	Single CA-140

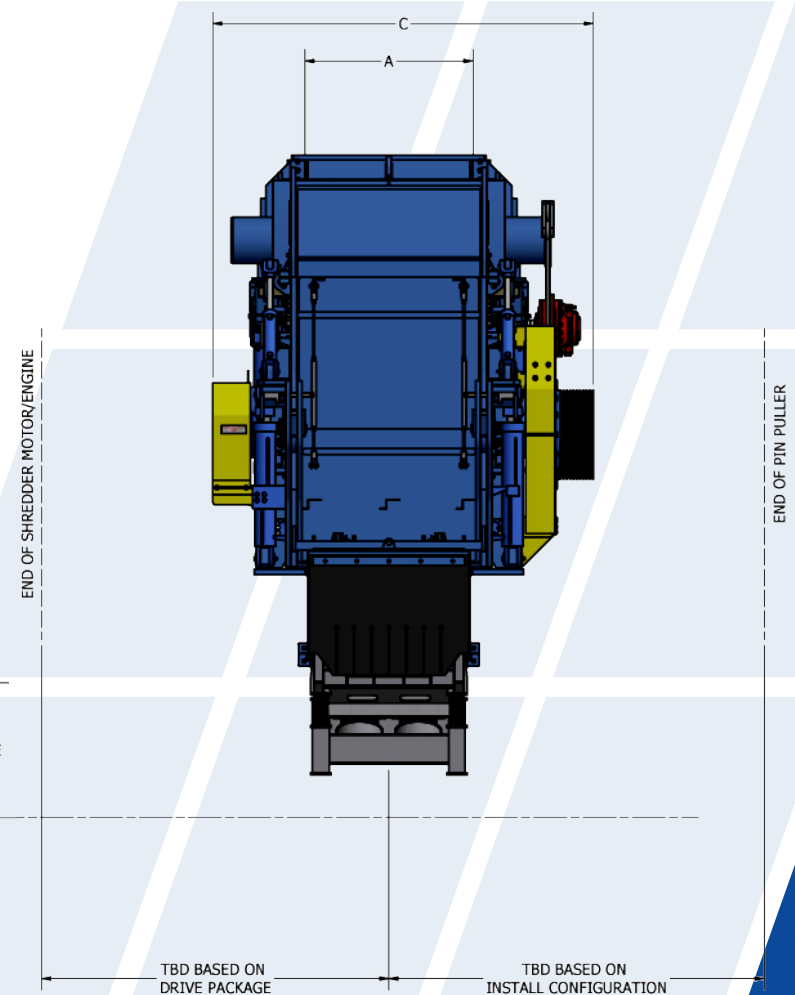
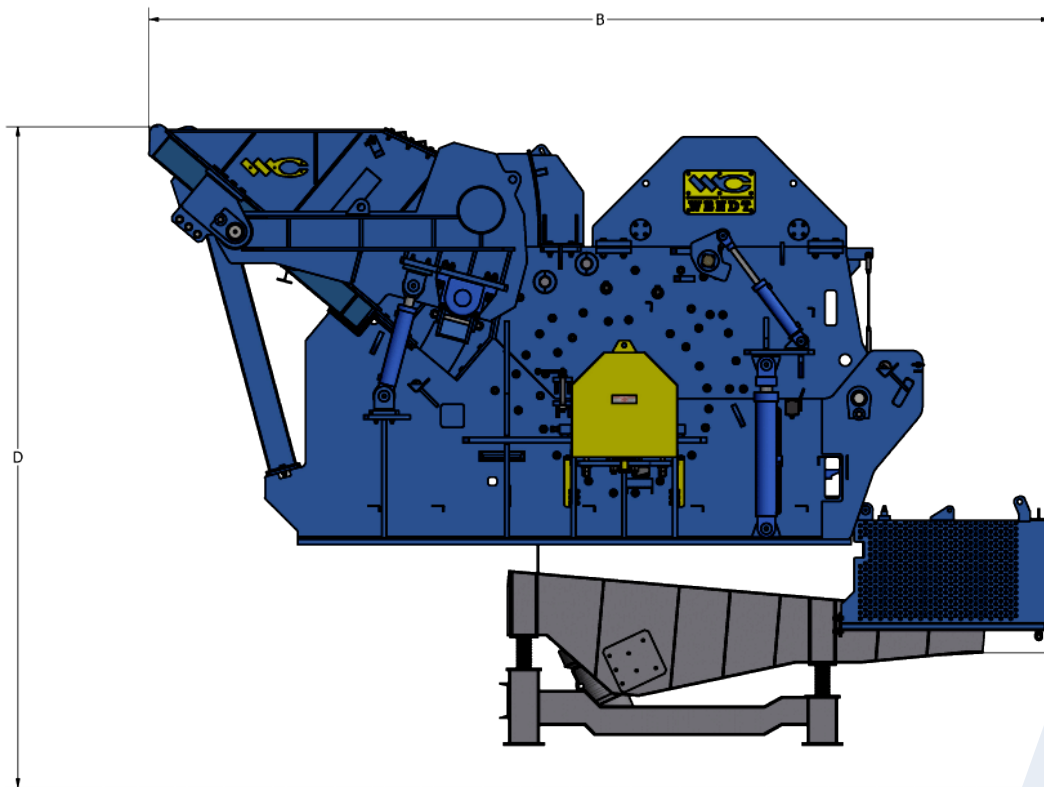
PRIMARY DRIVE OPTIONS

	1,000 HP ELECTRIC	1,250 HP DIESEL
Input TPH	25	20
Input TPM (160 HRS)	4,000	3,200
Output Scrap Density	75-95 lbs/ft ³ (1.2-1.5 T/m ³)	

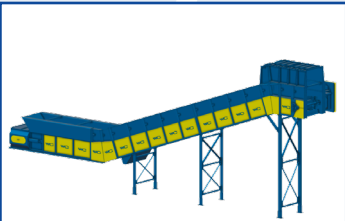
DIMENSIONS

Working Width (A):	57 in (1,448 mm)
Overall Length (B):	312 in (7,925 mm)
Overall Width (C):	132 in (3,353 mm)
Overall Height (D):	226 in (5,740 mm)
Feed Height (E):	46 in (1,168 mm)

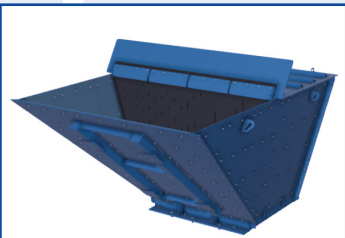
*Dimensions do not include drive components or pin puller as these will vary based upon final selection.



INFEED OPTIONS

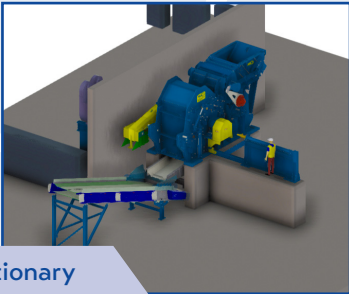


Infeed Conveyor

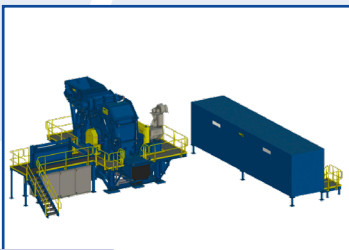


Feed Hopper

INSTALLATION OPTIONS



Stationary



Modular

6060 Shredder

STANDARD CONFIGURATION

- Feed Chute
- Feed Roll
- Shredder Box
- Disc Rotor
- Castings
- Pin Puller
- Auto Driver Control System
- Hydraulic Power Units
- Undermill Oscillator
- Commissioning and Training

MOTOR OPTIONS

- | | |
|-------------------|--|
| STATIONARY | • 1,250 HP Diesel
• 1,130 HP DC Motor |
| MODULAR | • 1,000 HP AC Motor |

